

Body: EN-GJS-400-18-LT three way form
for heat transfer oil, as mixing valve
(diverted purpose restricted, see page 038 990)
Pressure range: PN16, PN25
Immersion length acc. to DIN EN 558, basic series 1
Flanges acc. to DIN EN 1092-2 type 21
Spindle sealing: double wall bellow
and safety stuffing box
Internal parts: stainless steel, replaceable seat rings
Flow characteristic: linear
Positioning ratio: : 30:1 (up to 50:1)
Leakage: < 0,01% Kvs

Electro-hydraulic actuator: with emergency close function
(straightway A-AB closed by power failure)
and integrated manual emergency function
Thrust: 2800 N
Power input: DN15...50: 17VA
DN65...100: 28VA
Power supply: 230V/50...60Hz
Alternatively: 24V AC (only with positioner 59sr)
for input 0...10V or 4...20mA
Protection class acc. to DIN EN 60529: IP54

Function:
In normal operation the electric pump generates pressure on the piston and moves the valve spindle (stroke) and simultaneously the return spring (preloading) downwards. In emergency (by power failure) the solenoid valve opens the pressure container and the return spring moves the piston and the valve spindle upwards and closes the straightway of the valve.

Accessories, special types:
Add. signal switches (59e)
Feedback potentiometer (59f)
Integrated positioner (59sr)
Reduced Kvs- values (on request)
Weld-on ends (on request)
Flange drillings acc. to ANSI / JIS (on request)

Order text:
Electro-hydr. control valve in three way form with mixing plug
EN-GJS-400-18-LT, PN . . , DN . . , Kvs . . .
Spindle sealing with bellow
Power supply . . . , with emergency close function, closing pressure . . . bar
List-No.: PN16: 561 4 . . . , PN25: 561 5 . . .
Accessories: . . .



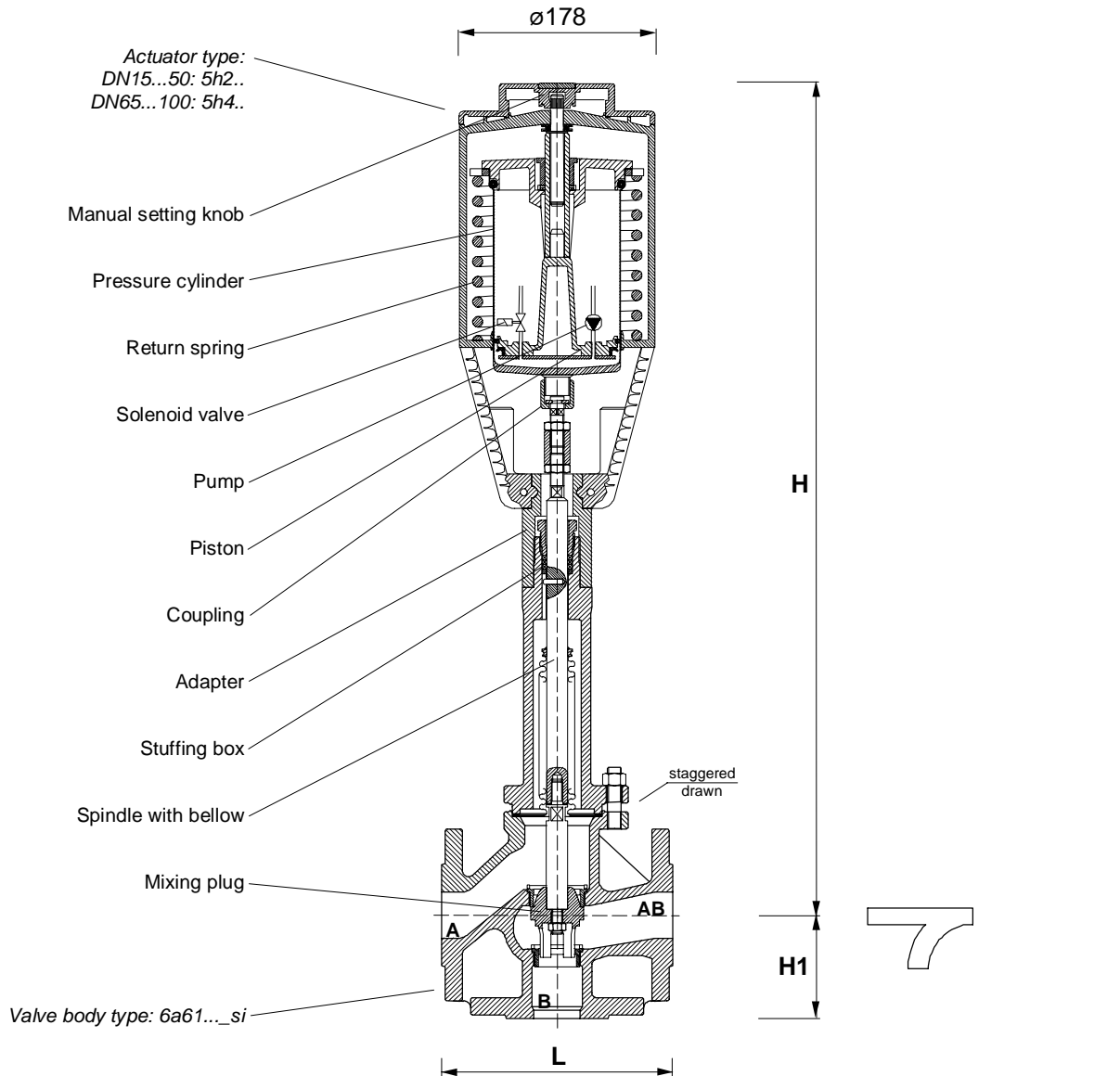
Pressure-temperature ratings acc. to DIN EN 1092-2:

by:		-10...50	100	150	200	250	300	350	°C
PN16	EN-GJS-400-18-LT	16	16	15,5	14,7	13,9	12,8	11,2	bar
PN25	EN-GJS-400-18-LT	25	25	24,3	23	21,8	20	17,5	bar

DN*	List-No.		Kvs m³/h	Stroke mm	Pos. time sec	Emergency close time		Closing pressure 2800N bar
	PN 16	PN 25				230V sec	24V+59sr sec	
15	561 400	561 500	4,0	20	120	10	10	25,0
20	561 401	561 501	6,3	20	120	10	10	25,0
25	561 402	561 502	10	20	120	10	10	25,0
32	561 403	561 503	16	20	120	10	10	25,0
40	561 404	561 504	25	20	120	10	10	16,5
50	561 405	561 505	40	20	120	10	10	10,4
65	561 406	561 506	63	30	90	18	20	5,7
80	561 408	561 508	100	30	90	18	20	3,5
100	561 410	561 510	160	30	90	18	20	2,1

* = bigger DN on request

EN-GJS-400-18-LT, with 2,8kN actuator with emergency close function



DN	15	20	25	32	40	50	65	80	100
Height H	714	728	722	729	734	737	867	868	875
Stud length H1	65	70	75	80	90	100	120	130	150
Length L	130	150	160	180	200	230	290	310	350
Weight kg	17	18	19	22	23	26	47	51	64

Electrical wiring:

