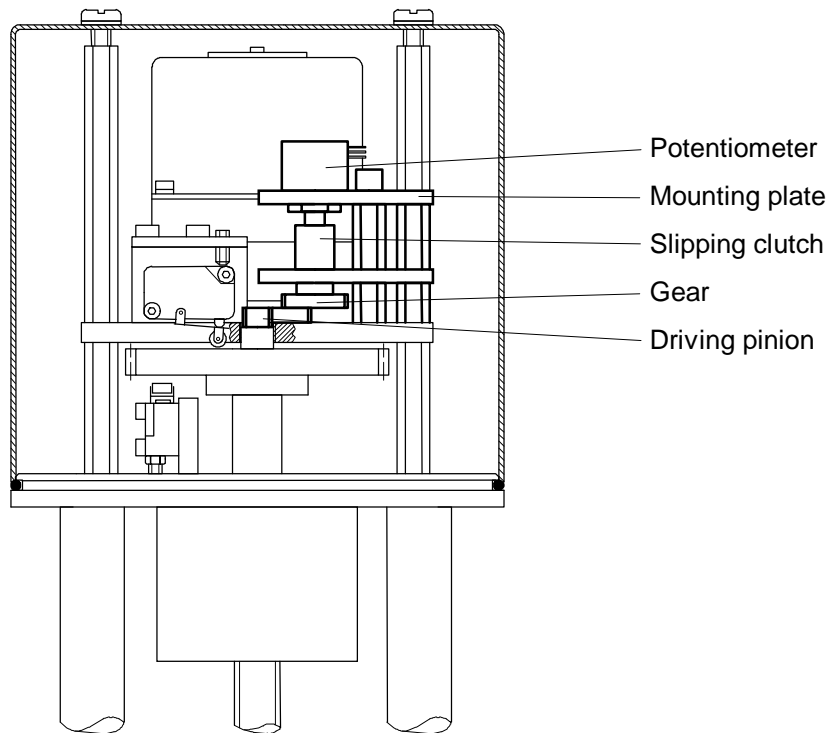


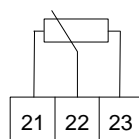
Electric actuators type 4e1... can be equipped with a potentiometer for position feedback.

The potentiometer is connected to the actuator by a slipping clutch. This effects an auto-adjustment after each manual operation and prevents damages by exceeding of the end position.

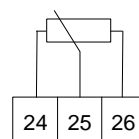
*Attention! The potentiometer has to be readjusted after each manual operation with hand wheel.
To readjust the potentiometer, the actuator has to be driven electrically in both end positions.*



Additional terminals:



Potentiometer 1



Potentiometer 2

Type summary:

49f	x	x	x	
			2	Double potentiometer
		1		100 Ohm
		2		200 Ohm
		5		500 Ohm
		0		1000 Ohm *
	1			Stroke 15 mm
	2			Stroke 20 mm
	3			Stroke 30/35 mm
	4			Stroke 40 mm

* default value: standard potentiometer 1000 Ohm