

Body: Bronze CC491K (Rg5)
for water 0...130°C
Internal thread connectors: acc. to DIN
including cap nut and connecting part
of galvanized malleable cast iron
optionally of bronze
Pressure range: PN16
Spindle sealing: EPDM-O-ring
Plug: brass CW614N
Spindle: stainless steel 1.4122
Flow characteristic: A-AB equal percentage
B-AB linear
Positioning ratio: DN15: 50:1
DN20-50: 100:1
Leakage: EN1349 – seat leakage VI G 1 (tight sealing)

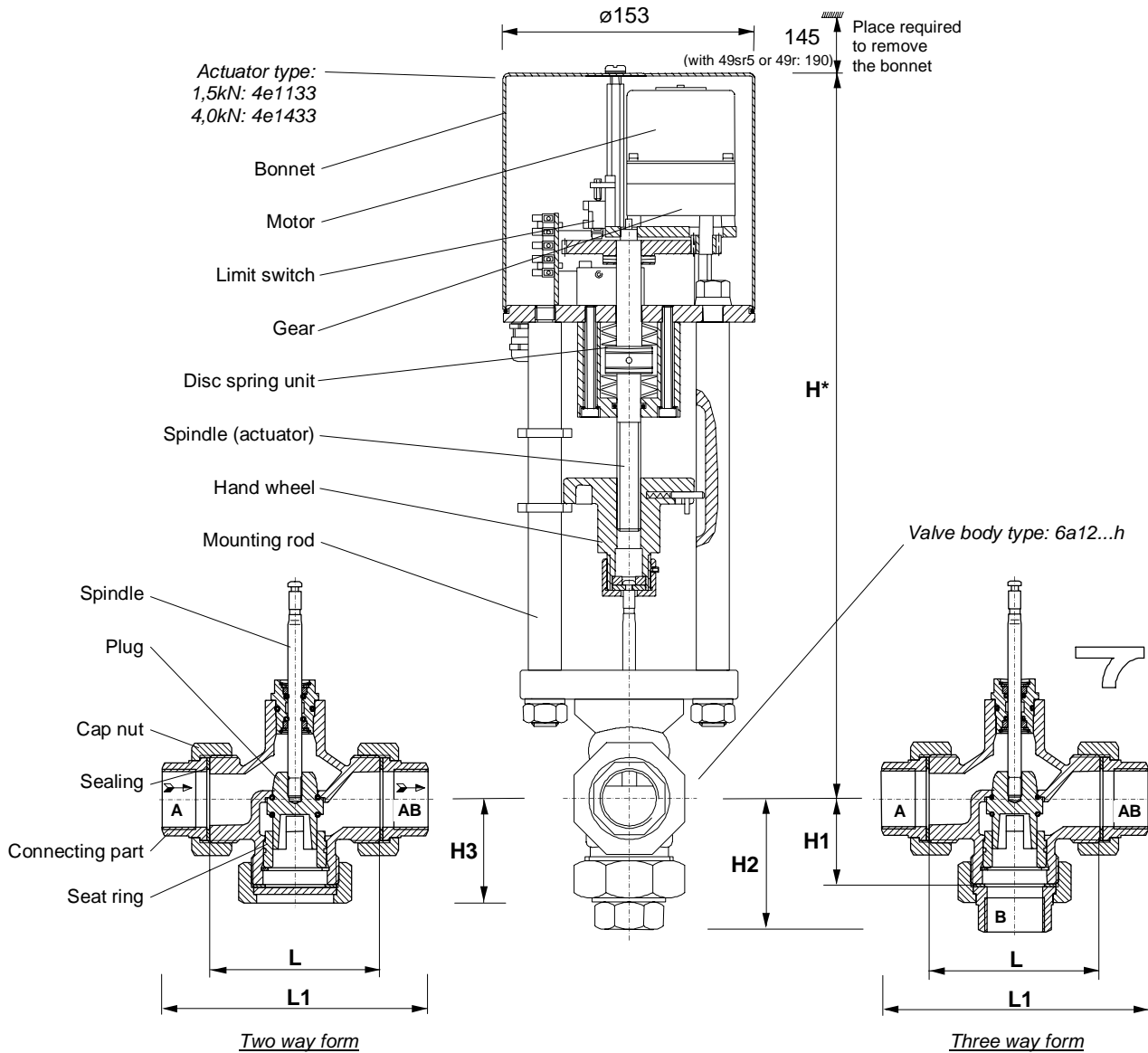
Actuator: with manual emergency operation
and load dependent limit switches
Thrust: 2000 N
Power input: 12 VA
Alternatively: 4000 N / 28 VA (appendix ...c)
Power supply: 230V/50...60Hz
Optionally: 115V/50...60Hz, 24V/50...60Hz, 24VDC
Motor rating standard acc. to DIN EN 60034-1: S1 – 100%
Protection class acc. to DIN EN 60529: IP65

Accessories, special types:
Add. limit switches load dependent (see page 49e)
Add. signal switches travel dependent (see page 49w)
Feedback potentiometer (see page 49f)
Integrated positioner (see page 49sr)
Integrated process controller (see page 49r)
Feedback signal 4-20mA / 0-10V
Actuator heater (on request)
Other positioning speed (on request)
Reduced Kvs- values (on request)

Order text:
Motor control valve in two way / three way form
Bronze CC491K, PN 16, DN . . . , Kvs . . .
Spindle sealing with O-Ring
Power supply . . . , closing pressure . . . bar
List-No.: two way form: 481 2 . . . , three way form: 481 3 . . .
Accessories: . . .



DN	List-No.		Kvs m³/h	Stroke mm	Pos. time sec	Closing pressure (bar)	
	2-way	3-way				1500N	4000N
1/2"	4812 100	4813 100	4	12	40	16,0	
3/4"	4812 101	4813 101	6,3	12	40	16,0	
1"	4812 102	4813 102	10	14	47	16,0	
1 1/4"	4812 103.	4813 103.	16	14	47	11,8	16,0
1 1/2"	4812 104.	4813 104.	25	14	47	7,2	16,0
2"	4812 105.	4813 105.	40	14	47	4,2	16,0



DN	1/2"	3/4"	1"	1 1/4"	1 1/2"	2"
Height H *	390	393	396	405	408	408
Length L	62	75	80	120	130	150
Length ~L1	114	127	138	184	198	222
Stud length H1	40	41	45	55	60	65
Stud length ~H2	66	67	74	89	94	101
Stud length ~H3	48	53	57	68	73	78
Weight kg	7,7	8,2	8,5	9,2	9,8	11,4

* = add. 45mm for actuators with positioner 49sr5 or controller 49r

Electrical wiring:

