

Body: three way form

Version with diverting plug, for water and steam
 Pressure range: PN16, PN25, PN40
 Immersion length acc. to DIN EN 558, basic series 1
 Flanges acc. to DIN EN 1092-1/2 type 21
 Spindle sealing: spring-loaded PTFE-V-ring unit
 for media temperatures up to 250°C
 Alternatively: graphite-packing
 for media temperatures up to 450°C
 Internal parts: stainless steel, replaceable seat rings
 Flow characteristic: linear
 Positioning ratio: 30:1 (up to 50:1)
 Leakage: < 0,01% Kvs

Actuator: with manual emergency operation
 and load dependent limit switches

Thrust: 8 kN / 34 VA (appendix ...e)
 12 kN / 34 VA (appendix ...f)
 15 kN / 50 VA (appendix ...h)
 Power supply: 230V / 50Hz
 Alternatively: 230V / 60Hz (appendix ...e6/f6/h6)
 Special voltages: 115V 50/60Hz, 24V 50/60Hz
 24V DC, 400V 3Ph. on request
 Motor rating standard acc. to DIN EN 60034-1: S4-30%ED - 600c/h
 Protection class acc. to DIN EN 60529: IP65

Accessories, special types:

Add. limit switches load dependent
 Add. signal switches travel dependent
 Potentiometer
 Integrated positioner
 Feedback signal 4-20mA / 0-10V
 Actuator heater (on request)
 Other positioning speed (on request)
 Other kvs- values (on request)
 Weld-on ends (on request)
 Flange drillings acc. to ANSI / JIS (on request)



Order text:

Motor control valve in three way form, with diverting plug
 Material . . . , PN . . . , DN . . . , Kvs . . .
 Spindle sealing with PTFE-V-ring unit
 Power supply . . . , closing pressure . . . bar
 List-No.: PN16: 432 4 . . H . . , PN25: 432 5 . . H . . , PN40: 432 7 . . H . . , PN40: 432 E . . H . .
 Accessories: . . .

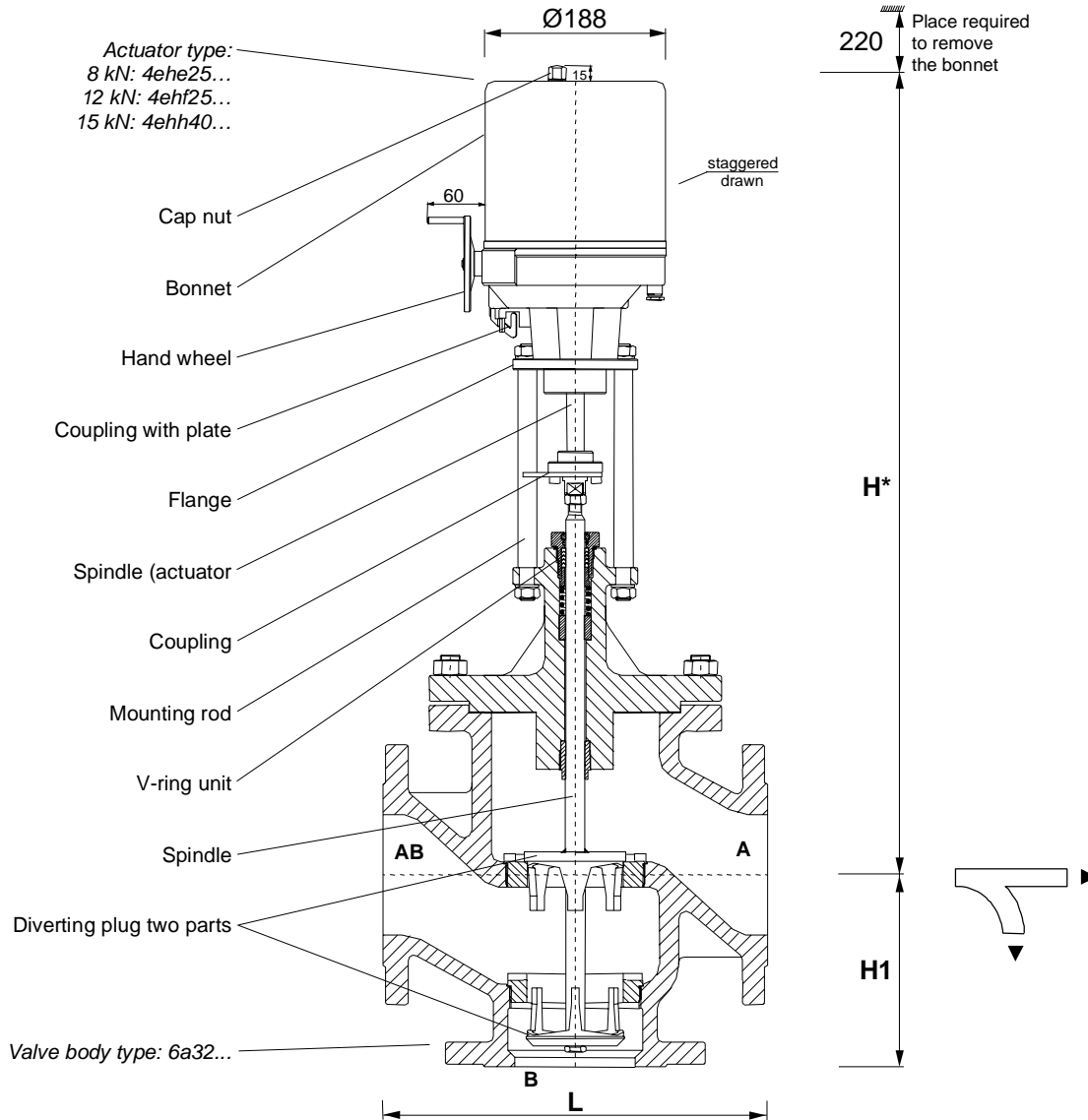
Pressure-temperature ratings acc. to DIN EN 1092-1/2:

by:	-10...50	100	150	200	250	300	350	400	450	°C*
PN16 432 4 EN-GJS-400-18-LT	16	16	15,5	14,7	13,9	12,8	11,2	-	-	bar
PN25 432 5 EN-GJS-400-18-LT	25	25	24,3	23	21,8	20	17,5	-	-	bar
PN40 432 7 GP240GH+N	40	37,3	34,7	30,2	28,4	25,8	24	23,1	13,2	bar
PN40 432 E GX5CrNiMo19-11-2	40	37,3	33,8	31,1	29,3	27,6	26,7	25,6	-	bar

* = max. 250°C for spindle sealing with PTFE-V-ring unit

DN	List-No.			Kvs m³/h	Stroke mm	Pos. time sec	Closing pressure** (bar)			
	PN16	PN25	PN40				8kN	12kN	15kN	
50	432 405H.	432 505H.	432 705H.	432 E05H.	27	20	48	34,8	40,0	
65	432 406H.	432 506H.	432 706H.	432 E06H.	50	30	72	20,4	31,8	40,0
80	432 408H.	432 508H.	432 708H.	432 E08H.	83	30	72	13,4	21,0	26,6
100	432 410H.	432 510H.	432 710H.	432 E10H.	123	30	72	8,4	13,3	17,0
125	432 412H.	432 512H.			190	35	84	8,4	13,3	17,0
150	432 415H.	432 515H.			250	35	84	5,7	9,1	11,7

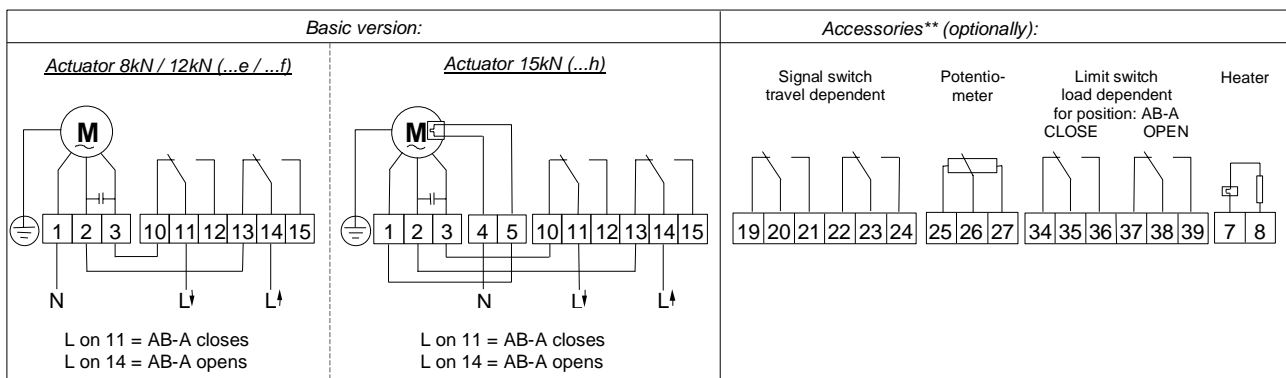
** = DN200 see page 4324/520Hf/h/i/k, higher closing pressures and DN>200 on request



DN	50	65	80	100	125	150
Height H*	708	751	752	760	861	876
Stud length H1	100	120	130	150	200	210
Length L	230	290	310	350	400	480
Weight kg	28	45	49	62	117	138

* = additional 20mm for 15kN actuator and 25mm for version with positioner

Electrical wiring 230 / 115 / 24 V 50/60 Hz:**



** = for other voltages / accessories see wiring diagrams in operating instruction 4eh80_b.