

Body: three way form

for water and steam, as mixing valve
(diverted purpose restricted, see page 038 990)
Pressure range: PN16, PN25, PN40
Immersion length acc. to DIN EN 558, basic series 1
Flanges acc. to DIN EN 1092-1/2 type 21
Spindle sealing: spring-loaded PTFE-V-ring unit
for media temperatures up to 250°C
Alternatively: graphite-packing
for media temperatures up to 450°C
Internal parts: stainless steel, replaceable seat rings
Flow characteristic: linear
Positioning ratio: 30:1 (up to 50:1)
Leakage: < 0,01% Kvs

Actuator: with manual emergency operation
and load dependent limit switches

Thrust: 8 kN / 34 VA (appendix ...e)
12 kN / 34 VA (appendix ...f)
15 kN / 50 VA (appendix ...h)
Power supply: 230V / 50Hz
Alternatively: 230V / 60Hz (appendix ...e6/f6/h6)
Special voltages: 115V 50/60Hz, 24V 50/60Hz
24V DC, 400V 3Ph. on request
Motor rating standard acc. to DIN EN 60034-1: S4-30%ED - 600C/h
Protection class acc. to DIN EN 60529: IP65

Accessories, special types:

Add. limit switches load dependent
Add. signal switches travel dependent
Potentiometer
Integrated positioner
Feedback signal 4-20mA / 0-10V
Actuator heater (on request)
Other positioning speed (on request)
Other kvs- values (on request)
Weld-on ends (on request)
Flange drillings acc. to ANSI / JIS (on request)

Order text:

Motor control valve in three way form, with mixing plug
Material . . . , PN . . . , DN . . . , Kvs . . .
Spindle sealing with PTFE-V-ring unit
Power supply . . . , closing pressure . . . bar
List-No.: PN16: 431 4 . . . H . . . , PN25: 431 5 . . . H . . . , PN40: 431 7 . . . H . . . , PN40: 431 E . . . H . . .
Accessories: . . .



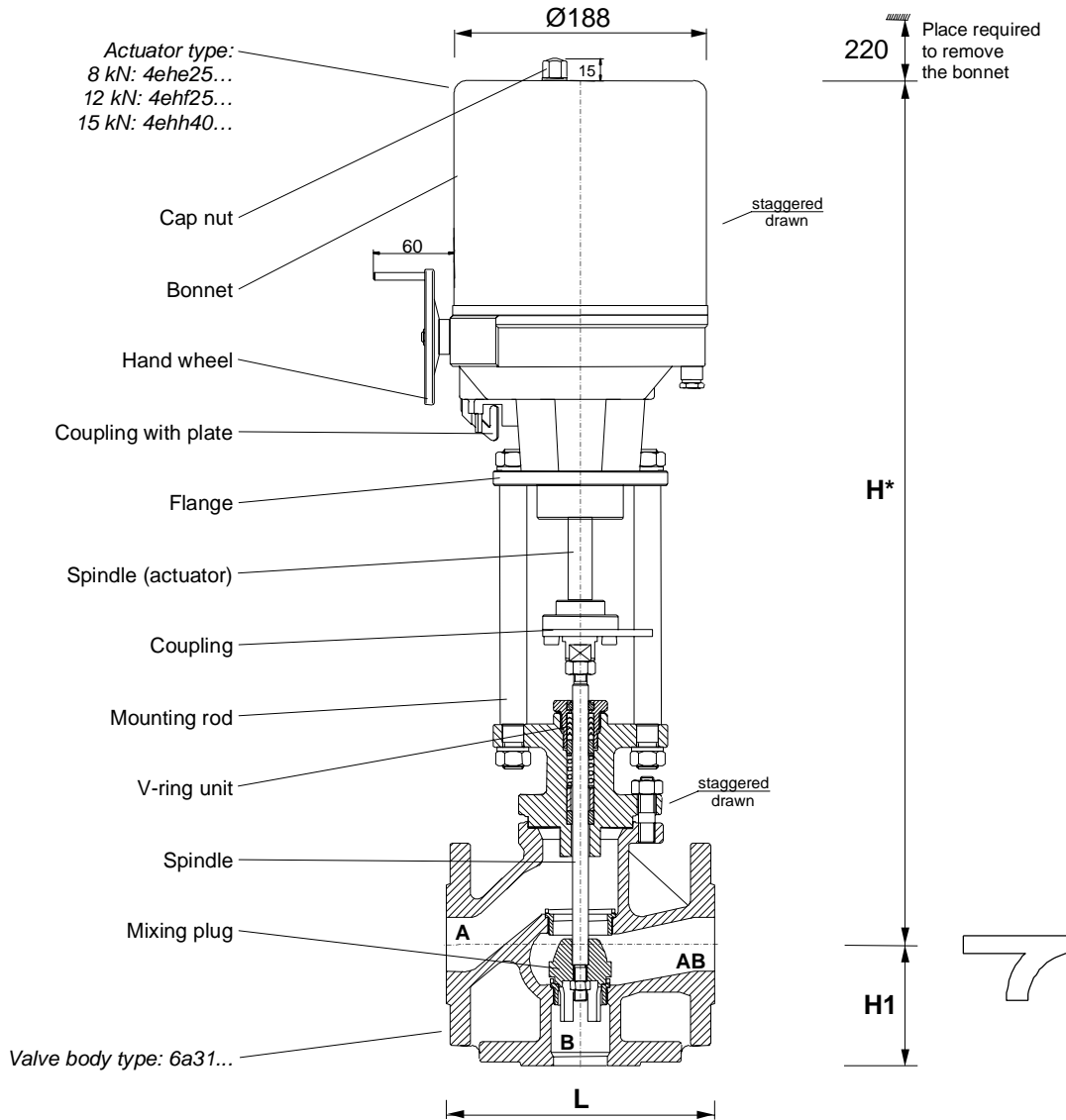
Pressure-temperature ratings acc. to DIN EN 1092-1/2:

by:	-10...50	100	150	200	250	300	350	400	450	°C*
PN16 431 4 EN-GJS-400-18-LT	16	16	15,5	14,7	13,9	12,8	11,2	-	-	bar
PN25 431 5 EN-GJS-400-18-LT	25	25	24,3	23	21,8	20	17,5	-	-	bar
PN40 431 7 GP240GH+N	40	37,3	34,7	30,2	28,4	25,8	24	23,1	13,2	bar
PN40 431 E GX5CrNiMo19-11-2	40	37,3	33,8	31,1	29,3	27,6	26,7	25,6	-	bar

* = max. 250°C for spindle sealing with PTFE-V-ring unit

DN	List-No.			Kvs m³/h	Stroke mm	Pos. time sec	Closing pressure** (bar)			
	PN16	PN25	PN40				PN40	8kN	12kN	15kN
50	431 405H.	431 505H.	431 705H.	431 E05H.	40	20	48	34,8	40,0	
65	431 406H.	431 506H.	431 706H.	431 E06H.	63	30	72	20,4	31,8	40,0
80	431 408H.	431 508H.	431 708H.	431 E08H.	100	30	72	13,4	21,0	26,6
100	431 410H.	431 510H.	431 710H.	431 E10H.	160	30	72	8,4	13,3	17,0
125	431 412H.	431 512H.			230	35	84	5,2	8,4	10,8
150	431 415H.	431 515H.			330	38	92	3,5	5,7	7,4

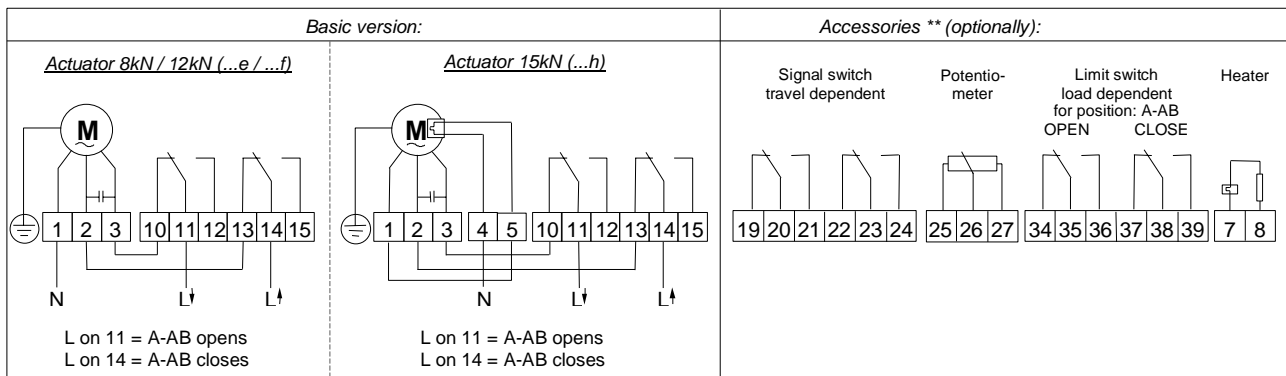
** = DN200 see page 4314/520Hf/h, higher closing pressures and DN>200 on request



DN	50	65	80	100	125	150
Height H*	708	751	752	760	861	876
Stud length H1	100	120	130	150	200	210
Length L	230	290	310	350	400	480
Weight kg	28	45	49	62	117	138

* = additional 20mm for 15kN actuator and 25mm for version with positioner

Electrical wiring 230 /115 /24 V 50/60 Hz:**



** = for other voltages / accessories see wiring diagrams in operating instruction 4eh80_b.