

Body: three way form

for water and steam, as mixing valve
(diverted purpose restricted, see page 038 990)
Pressure range: PN16, PN25, PN40
Immersion length acc. to DIN EN 558, basic series 1
Flanges acc. to DIN EN 1092-1/2 type 21
Spindle sealing: spring-loaded PTFE-V-ring unit
for media temperatures up to 250°C
Alternatively: graphite-packing
for media temperatures up to 450°C
Internal parts: stainless steel, replaceable seat rings
Flow characteristic: linear
Positioning ratio: 30:1 (up to 50:1)
Leakage: < 0,01% Kvs

Actuator: with manual emergency operation
and load dependent limit switches

Thrust: 2000 N
Power input: 12 VA
Alternatively: 4000 N / 28 VA (appendix ...c)
5500 N / 28 VA (appendix ...d)
Power supply: 230V/50...60Hz
Optionally: 115V/50...60Hz, 24V/50...60Hz, 24VDC
Motor rating standard acc. to DIN EN 60034-1: S1 – 100%
Protection class acc. to DIN EN 60529: IP65

Accessories, special types:

Add. limit switches load dependent (see page 49e)
Add. signal switches travel dependent (see page 49w)
Feedback potentiometer (see page 49f)
Integrated positioner (see page 49sr)
Integrated process controller (see page 49r)
Feedback signal 4-20mA / 0-10V
Actuator heater (on request)
Other positioning speed (on request)
Reduced Kvs- values (on request)
Weld-on ends (on request)
Flange drillings acc. to ANSI / JIS (on request)

Order text:

Motor control valve in three way form, with mixing plug
Material . . . , PN . . . , DN . . . , Kvs . . .
Spindle sealing with PTFE-V-ring unit
Power supply . . . , closing pressure . . . bar
List-No.: PN16: 431 4 . . . , PN25: 431 5 . . . , PN40: 431 7 . . . , PN40: 431 E . .
Accessories: . . .



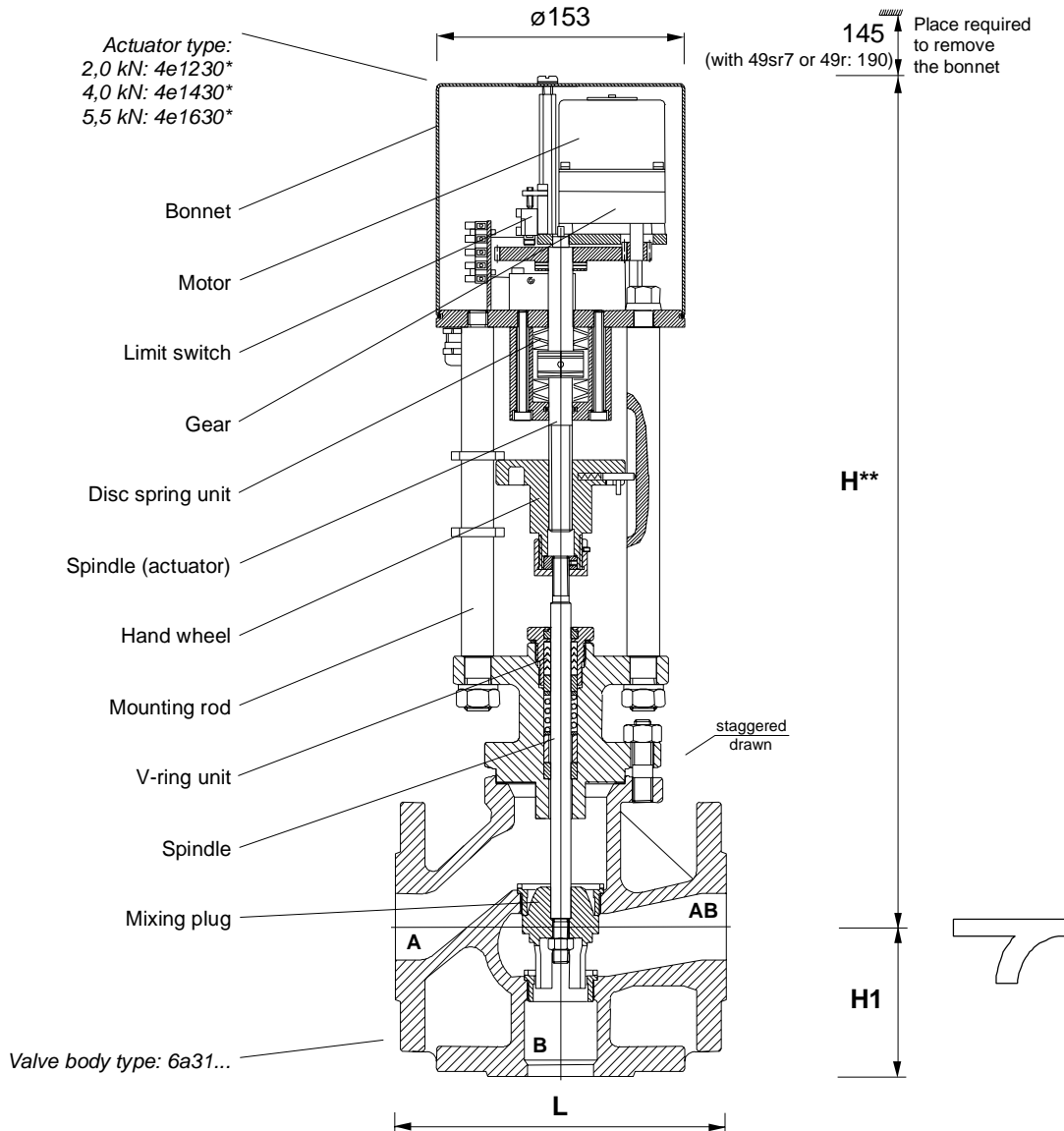
Pressure-temperature ratings acc. to DIN EN 1092-1/2:

by:	-10...50	100	150	200	250	300	350	400	450	°C*
PN16 431 4 EN-GJS-400-18-LT	16	16	15,5	14,7	13,9	12,8	11,2	-	-	bar
PN25 431 5 EN-GJS-400-18-LT	25	25	24,3	23	21,8	20	17,5	-	-	bar
PN40 431 7 GP240GH+N	40	37,3	34,7	30,2	28,4	25,8	24	23,1	13,2	bar
PN40 431 E GX5CrNiMo19-11-2	40	37,3	33,8	31,1	29,3	27,6	26,7	25,6	-	bar

* = max. 250°C for spindle sealing with PTFE-V-ring unit

DN	List-No.				Kvs m³/h	Stroke mm	Pos. time sec	Closing pressure** (bar)		
	PN 16	PN 25	PN40	PN40				2000N	4000N	5500N
15	431 400	431 500	431 700	431 E00	4	20	66	40,0		
20	431 401	431 501	431 701	431 E01	6,3	20	66	40,0		
25	431 402	431 502	431 702	431 E02	10	20	66	28,5	40,0	
32	431 403	431 503	431 703	431 E03	16	20	66	17,3	39,3	40,0
40	431 404	431 504	431 704	431 E04	25	20	66	10,8	25,2	36,0
50	431 405	431 505	431 705	431 E05	40	20	66	6,6	16,0	23,0
65	431 406	431 506	431 706	431 E06	63	30	99	3,4	9,1	13,3
80	431 408	431 508	431 708	431 E08	100	30	99	2,0	5,8	8,6
100	431 410	431 510	431 710	431 E10	160	30	99	1,1	3,5	5,4
125	431 412	431 512			230	35	116		2,1	3,3
150	431 415	431 515			330	38	126		1,3	2,1

** = higher closing pressures see page 4314/5He/f/h, DN200 see page 4314/520Hf/h, bigger DN on request



DN	15	20	25	32	40	50	65	80	100	125	150
Height H**	491	505	499	506	511	513	556	557	564	720	735
Stud length H1	65	70	75	80	90	100	120	130	150	200	210
Length L	130	150	160	180	200	230	290	310	350	400	480
Weight kg	15	16	17	20	21	24	40	45	58	113	134

* = only for DN 15-100; actuators for DN 125-150: 4e1435 (4kN) and 4e1635 (5,5kN)

** = add. 45mm for actuators with positioner 49sr7 or controller 49r

Electrical wiring:

