

Body: EN-GJS-400-18-LT (GGG-40.3), three way form
Version: with mixing plug, for water and steam
Pressure range: PN 16, PN 25
Immersion length acc. to DIN EN 558, basic series 1
Flanges acc. to DIN EN 1092-2 type 21
Spindle sealing: spring loaded PTFE-V-ring unit
for media temperatures up to 250°C
Alternatively: graphite packing
for media temperatures up to 350°C
Internal parts: stainless steel, replaceable seat rings
Flow characteristic: linear
Positioning ratio: 30:1
Leakage: < 0,01% Kvs

Actuator: with integrated manual emergency operation
and load dependent limit switches
Thrust: 12 kN / 152 W (appendix ...f)
15 kN / 152 W (appendix ...h)
Power supply: 230V / 50Hz
Alternatively: 230V / 60Hz (appendix ...f6/...h6)
Other voltages: 115V 50/60Hz, 24V 50/60Hz,
24V DC, 400V 3Ph. on request
Motor rating standard acc. to DIN EN 60034-1: S4 – 30% – 600 c/h
Protection class acc. to DIN EN 60529: IP65

Accessories, special types:
Add. limit switches load dependent
Add. signal switches travel dependent
Feedback potentiometer
Integrated positioner
Feedback signal 4-20mA / 0-10V
Actuator heater (on request)
Other positioning speed (on request)
Other kvs - values (on request)
Flange drillings acc. to ANSI / JIS (on request)

Order text:
Motor control valve in three way form, with mixing plug
EN-GJS-400-18-LT (GGG-40.3), PN . . , DN200, Kvs 630
Spindle sealing with PTFE-V-ring unit
Power supply . . . , closing pressure . . . bar
List-No. 431 . . . H . . , accessories . . .



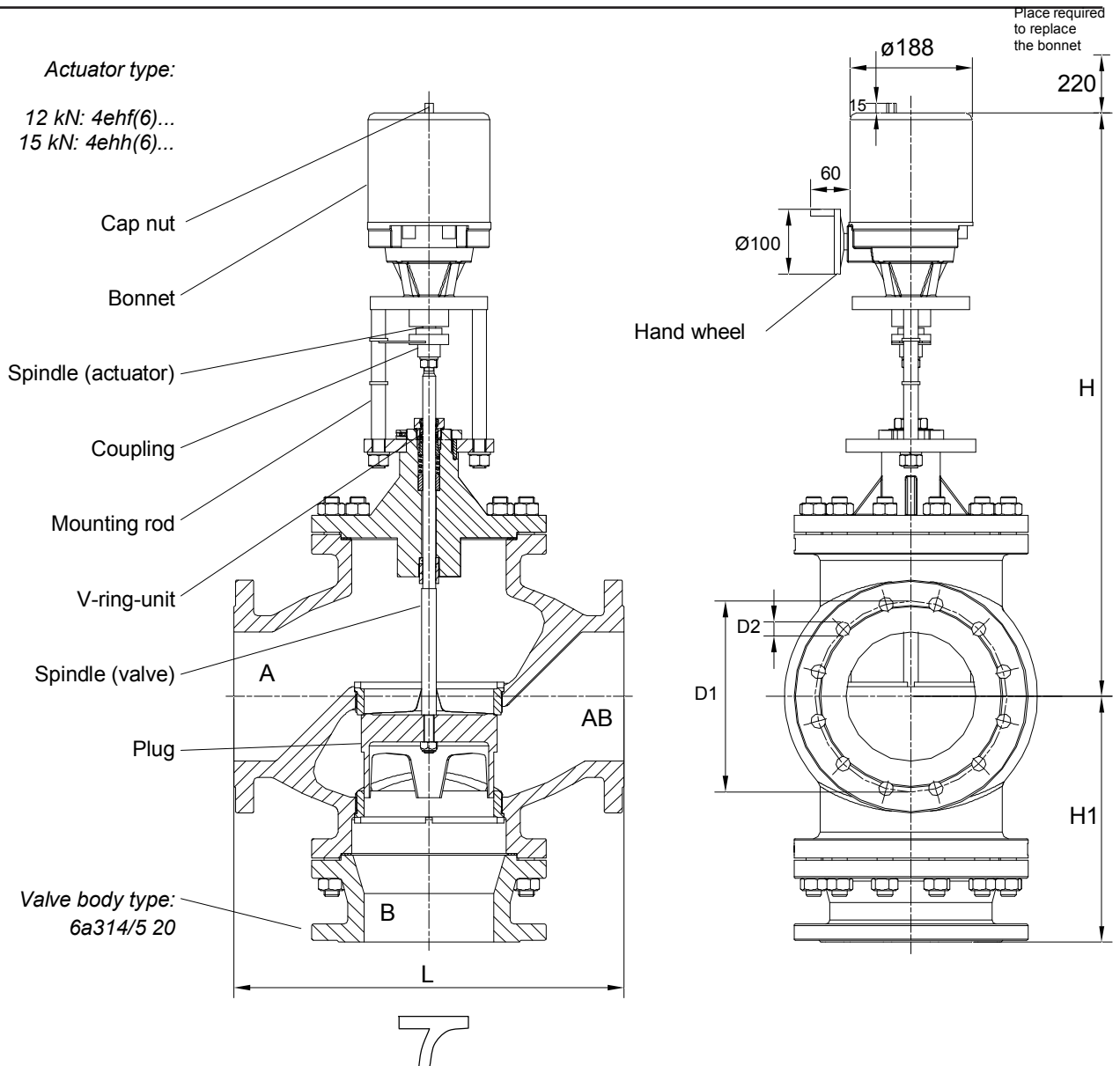
Pressure-Temperature ratings acc. to DIN EN 1092-2:

by:	-10...120	150	200	250	300	350	°C*
PN 16	16	15,5	14,7	13,9	12,8	11,2	bar
PN 25	25	24,3	23	21,8	20	17,5	bar

* = max. 250°C for spindle sealing with PTFE-V-ring unit

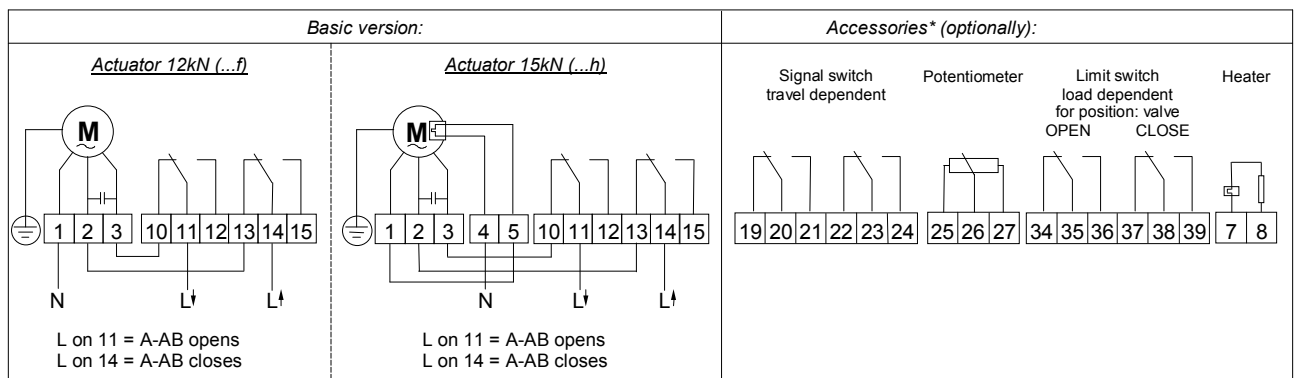
DN	List-No.		Kvs m ³ /h	Stroke mm	Pos. time sec	Closing pressure* (bar)	
	PN 16	PN 25				12 kN	15kN
200	431 420Hf	431 520Hf	630	60	72	3,1	
200	431 420Hh	431 520Hh	630	60	90		4,0

* higher closing pressures on request



Dimensions		Flange connections acc. to DIN EN 1092-2				
DN	200	PN	D1	D2	Quantity of screws	Thread
Height H	905	16	295	22	12	M20
Stud length H1	380	25	310	26	12	M24
Length L	600					
Weight kg	280					

Electrical wiring 230 /115 /24 V 50/60 Hz:*



* = for other voltages / accessories see wiring diagrams in operating instruction 4eh80_b.