

Body: EN-GJS-400-18-LT (GGG-40.3), three way form
 Version: with diverting plug, for heat transfer oil
 Pressure range: PN 16
 Immersion length acc. to DIN EN 558, basic series 1
 Flanges acc. to DIN EN 1092-2 type 21
 Spindle sealing: four wall bellow
 and safety stuffing box
 Internal parts: stainless steel, replaceable seat rings
 Flow characteristic: linear
 Positioning ratio: 30:1
 Leakage: < 0,01% Kvs

Actuator: diaphragm area: 800 cm², Ø = 420 mm
 type ...h: 1730 cm², Ø = 600 mm
 Control signal / closing pressure: see table
 Operating mode: "Spring closes straightway AB-A"
 Air connection: G 1/4", type ...h: G 3/4"
 Operating pressure: 6,0 bar, type ...h: 3 bar



Accessories, special types:
 I/P-Positioner, control signal 4...20 mA (see page 390 8)
 P/P-Positioner, control signal 0,2...1,0 bar (see page 390 5)
 Electro-pneum. transformer (see page 390 3)
 Solenoid valve for operating air (see page 393)
 Limit switches (on request)
 Inductive limit switches (on request)
 Manual operating device (on request)
 Other kvs- values (on request)
 Flange drillings acc. to ANSI / JIS (on request)

Order text:
 Pneumatic control valve in three way form, with diverting plug
 EN-GJS-400-18-LT (GGG-40.3), PN 16, DN200, Kvs 470
 Spindle sealing with bellow
 Spring closes straightway AB-A
 Control signal . . . – . . . bar, closing pressure . . . bar
 List-No. 362 420 S . . , accessories: . . .

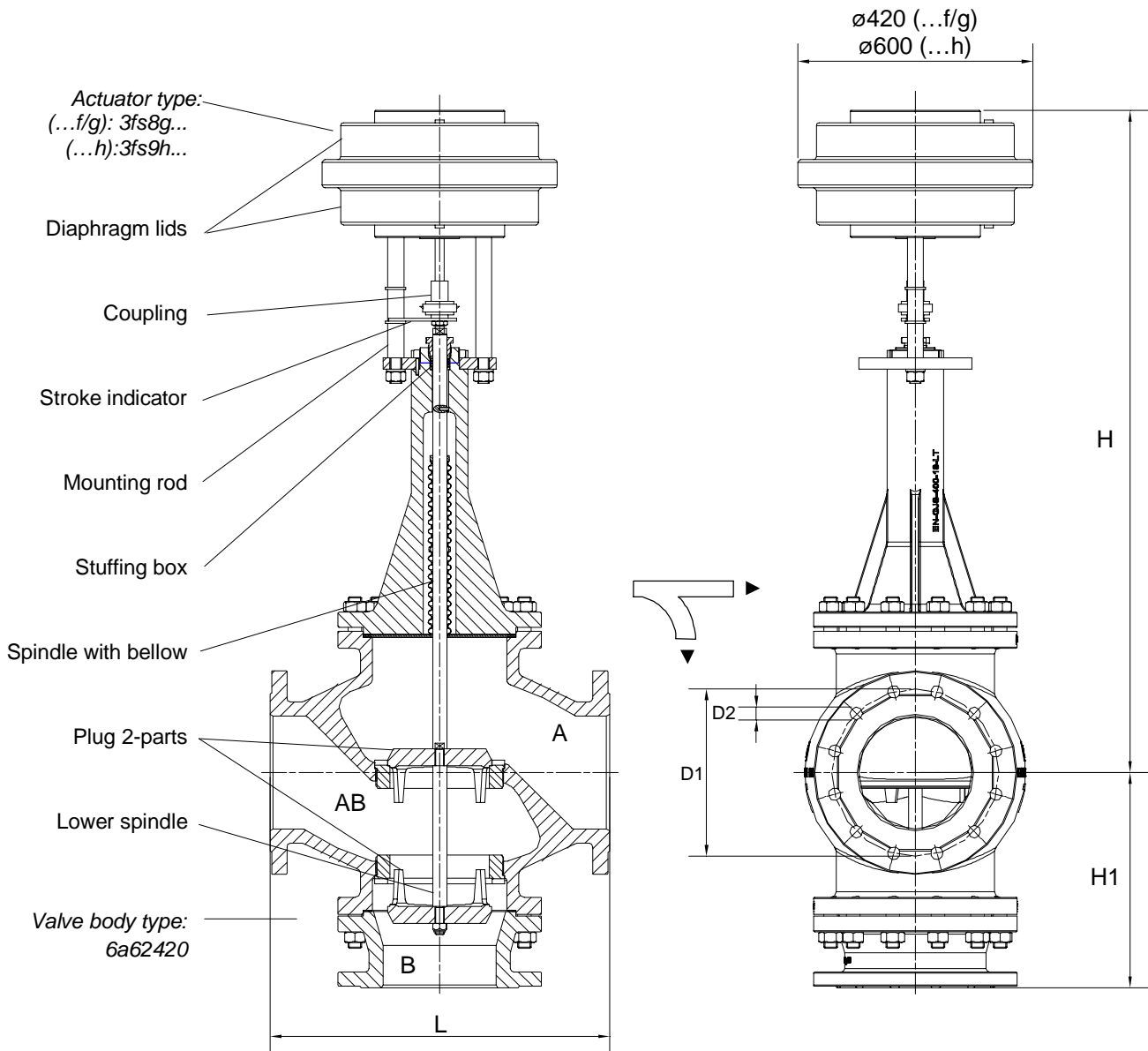
Pressure-temperature ratings acc. to DIN EN 1092-2:

by:	-10...120	150	200	250	300	350	°C
PN 16	16	15,5	14,7	13,9	12,8	11,2	bar

DN	List-No. PN 16	Kvs m ³ /h	Stroke mm	Closing pressure* (bar) for control signal...		
				1,5...4,5 bar	2,1...4,1 bar	0,9...2,0 bar
200	362420Sf	470	50	4,0		
200	362420Sg	470	50		4,9	
200	362420Sh	470	50			6,5

* higher closing pressures on request

EN-GJS-400-18-LT (GGG-40.3), PN 16, with 12-18kN actuator



Dimensions

DN	200
Height H (...f/g)	1180
Height H (...h)	1545
Stud length H1	380
Length L	600
Weight kg (...f/g)	360
Weight kg (...h)	445

Flange connections acc. to DIN EN 1092-2

PN	D1	D2	Quantity of screws	Thread
16	295	22	12	M20