

Body: three way form

Version with diverting plug, for water and steam
 Pressure range: PN16, PN25, PN40
 Immersion length acc. to DIN EN 558, basic series 1
 Flanges acc. to DIN EN 1092-1/2 type 21
 Spindle sealing: spring-loaded PTFE-V-ring unit
 for media temperatures up to 250°C
 Alternatively: graphite-packing
 for media temperatures up to 450°C
 Internal parts: stainless steel, replaceable seat rings
 Flow characteristic: linear
 Positioning ratio: 30:1 (up to 50:1)
 Leakage: < 0,01% Kvs

Actuator: diaphragm area 250 cm², ø250 mm
 Control signal / closing pressure: see table
 Operating mode (reversible):
 "Spring closes straightway AB-A"
 Air connection: G1/4"
 Operating pressure: standard type: 1,6 bar
 other types: ...c: 3 bar, ...d: 6 bar

Accessories, special types:

I/P-Positioner, control signal 4...20 mA (see page 390 8)
 P/P-Positioner, control signal 0,2...1,0 bar (see page 390 5)
 Electro-pneum. transformer (see page 390 3)
 Solenoid valve for operating air (see page 393)
 Limit switches (see page 39e)
 Inductive limit switches (on request)
 Manual operating device (see page 39h)
 Other kvs- values (on request)
 Weld-on ends (on request)
 Flange drillings acc. to ANSI / JIS (on request)



Order text:

Pneumatic control valve in three way form, with diverting plug
 Material . . . , PN . . . , DN . . . , Kvs . . .
 Spindle sealing with PTFE-V-ring unit
 Spring closes (opens) straightway AB-A
 Control signal . . . - . . . bar, closing pressure . . . bar
 List-No.: PN16: 332 4 . . . , PN25: 332 5 . . . , PN40: 332 7 . . . , PN40: 332 E . .
 Accessories: . . .

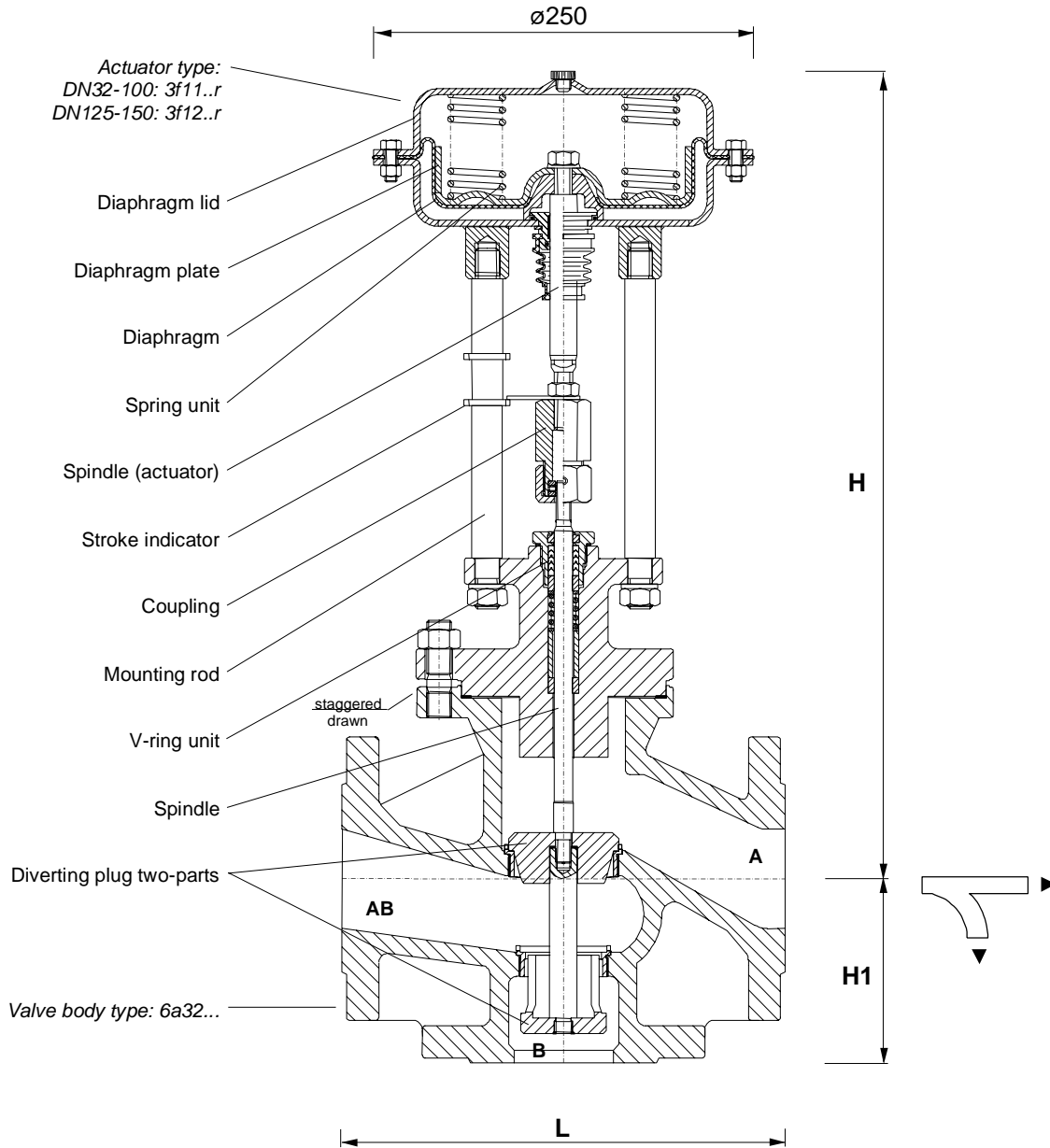
Pressure-temperature ratings acc. to DIN EN 1092-1/2:

by:	-10...50	100	150	200	250	300	350	400	450	°C*
PN16 332 4 EN-GJS-400-18-LT	16	16	15,5	14,7	13,9	12,8	11,2	-	-	bar
PN25 332 5 EN-GJS-400-18-LT	25	25	24,3	23	21,8	20	17,5	-	-	bar
PN40 332 7 GP240GH+N	40	37,3	34,7	30,2	28,4	25,8	24	23,1	13,2	bar
PN40 332 E GX5CrNiMo19-11-2	40	37,3	33,8	31,1	29,3	27,6	26,7	25,6	-	bar

* = max. 250°C for spindle sealing with PTFE-V-ring unit

DN	List-No.				Kvs m ³ /h	Stroke mm	Closing pressure** (bar) for control signal...		
	PN16	PN25	PN40	PN40			0,4...1,2bar: standard	1,0...2,0bar: type ...c	2,0...4,0bar: type ...d
32	332 403.	332 503.	332 703.	332 E03.	12	20	6,3	22,8	40,0
40	332 404.	332 504.	332 704.	332 E04.	20	20	3,6	14,4	32,4
50	332 405.	332 505.	332 705.	332 E05.	27	20	1,9	8,9	20,7
65	332 406.	332 506.	332 706.	332 E06.	50	20	0,6	4,8	11,9
80	332 408.	332 508.	332 708.	332 E08.	83	30		3,0	7,7
100	332 410.	332 510.	332 710.	332 E10.	123	30		1,7	4,7
125	332 412.	332 512.			190	35		1,7	4,7
150	332 415.	332 515.			250	35		1,0	3,1

** = higher closing pressures and DN>200 on request, DN200: see page 3324/520St/g/h



DN	32	40	50	65	80	100	125	150
Height H	473	480	483	525	526	533	685	700
Stud length H1	80	90	100	120	130	150	200	210
Length L	180	200	230	290	310	350	400	480
Weight kg	22	23	26	42	45	58	115	135