

Body: two way form, for water and steam
 Pressure range: PN16, PN25, PN40
 Immersion length acc. to DIN EN 558, basic series 1
 Flanges acc. to DIN EN 1092-1/2 type 21
 Spindle sealing: spring-loaded PTFE-V-ring unit
 for media temperatures up to 250°C
 Alternatively: graphite-packing
 for media temperatures up to 400°C
 Internal parts: stainless steel, replaceable seat rings
 Flow characteristic: equal percentage (partially modified)
 Positioning ratio: 50:1
 Leakage: < 0,01% Kvs

Actuator: diaphragm area 250 cm², ø250 mm
 Control signal / closing pressure: see table
 Operating mode (reversible):
 "Spring closes straightway"
 Air connection: G1/4"
 Operating pressure: standard type: 1,6 bar
 other types: ...c: 2,4 bar, ...d: 4,4 bar

Accessories, special types:
 I/P-Positioner, control signal 4...20 mA (see page 390 8)
 P/P-Positioner, control signal 0,2...1,0 bar (see page 390 5)
 Electro-pneum. transformer (see page 390 3)
 Solenoid valve for operating air (see page 393)
 Limit switches (see page 39e)
 Inductive limit switches (on request)
 Manual operating device (see page 39h)
 Other reduced Kvs- values (on request)
 Soft sealing for max. 200°C (on request)
 Perforated plug (on request)
 Weld-on ends (on request)
 Flange drillings acc. to ANSI / JIS (on request)

Order text:

Pneumatic control valve in two way form
 Material . . . , PN . . . , DN . . . , Kvs . . .
 Spindle sealing with PTFE-V-ring unit
 Spring closes (opens) straightway
 Control signal . . . - . . . bar, closing pressure . . . bar
 List-No.: PN16: 321 4 . . . , PN25: 321 5 . . . , PN40: 321 7 . . .
 Accessories: . . .

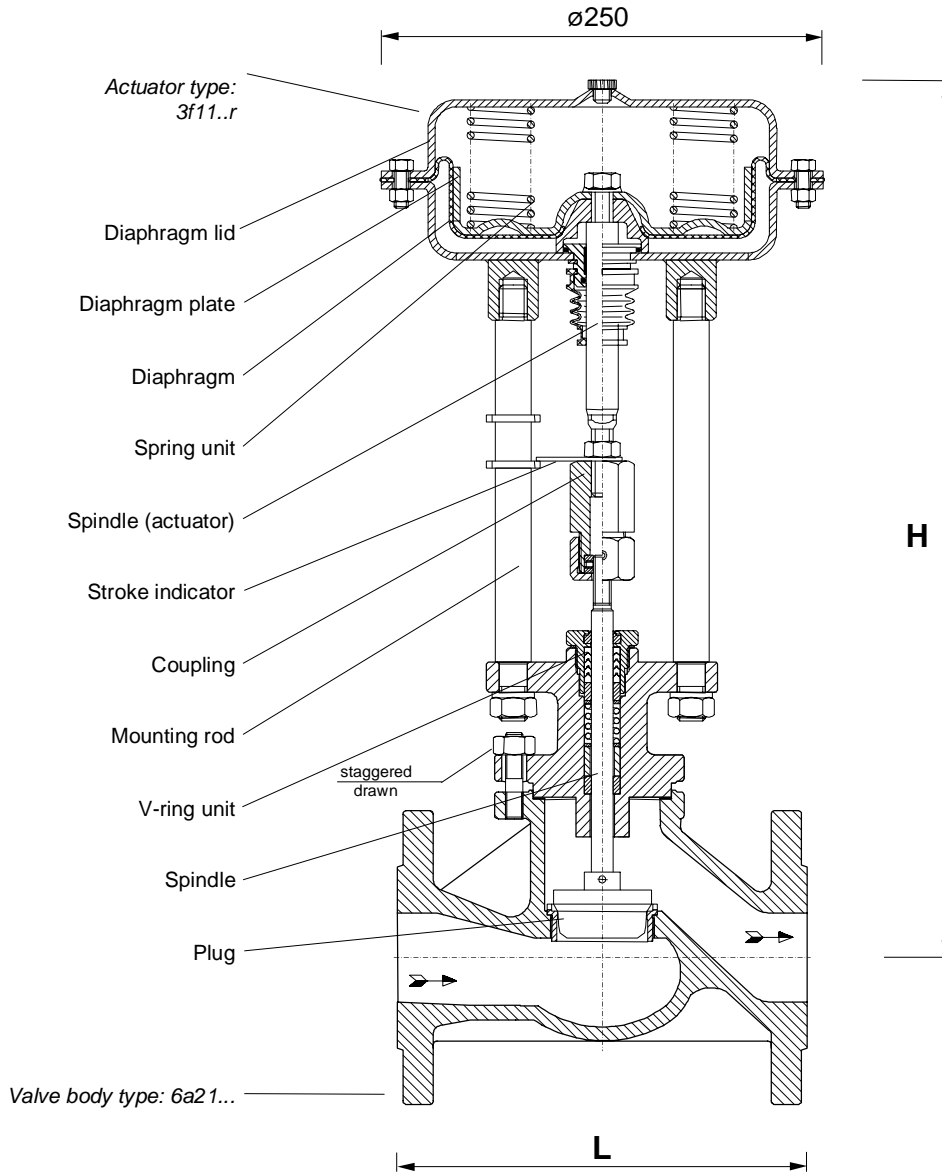


Pressure-temperature ratings acc. to DIN EN 1092-1/2:

by:		-10...50	100	150	200	250	300	350	400	°C*
PN16	EN-GJS-400-18-LT	16	16	15,5	14,7	13,9	12,8	11,2	-	bar
PN25	EN-GJS-400-18-LT	25	25	24,3	23	21,8	20	17,5	-	bar
PN40	GP240GH+N	40	37,3	34,7	30,2	28,4	25,8	24	23,1	bar

* = max. 250°C for spindle sealing with PTFE-V-ring unit

DN	PN16	List-No. PN25	PN40	Kvs m ³ /h	Stroke mm	Closing pressure (bar) for control signal...		
						0,4...1,2bar: standard	1,0...2,0bar: type ...c	2,0...4,0bar: type ...d
15	321 400.	321 500.	321 700.	4,0	20	17,9	40,0	
	321 450.	321 550.	321 750.	2,5	20	17,9	40,0	
	321 470.	321 570.	321 770.	1,6	20	17,9	40,0	
20	321 401.	321 501.	321 701.	6,3	20	17,9	40,0	
	321 451.	321 551.	321 751.	4,0	20	17,9	40,0	
	321 471.	321 571.	321 771.	2,5	20	17,9	40,0	
25	321 402.	321 502.	321 702.	10	20	11,1	37,3	
	321 452.	321 552.	321 752.	6,3	20	17,9	40,0	
	321 472.	321 572.	321 772.	4,0	20	17,9	40,0	
32	321 403.	321 503.	321 703.	16	20	6,3	22,8	40,0
	321 453.	321 553.	321 753.	10	20	11,1	37,3	40,0
	321 473.	321 573.	321 773.	6,3	20	17,9	40,0	40,0
40	321 404.	321 504.	321 704.	25	20	3,6	14,4	32,4
	321 454.	321 554.	321 754.	16	20	6,3	22,8	40,0
	321 474.	321 574.	321 774.	10	20	11,1	37,3	40,0
50	321 405.	321 505.	321 705.	40	20	1,9	8,9	20,7
	321 455.	321 555.	321 755.	25	20	3,6	14,4	32,4
	321 475.	321 575.	321 775.	16	20	6,3	22,8	40,0



DN	15	20	25	32	40	50
Height H	460	474	468	474	480	482
Length L	130	150	160	180	200	230
Weight kg	17	18	19	20	21	23