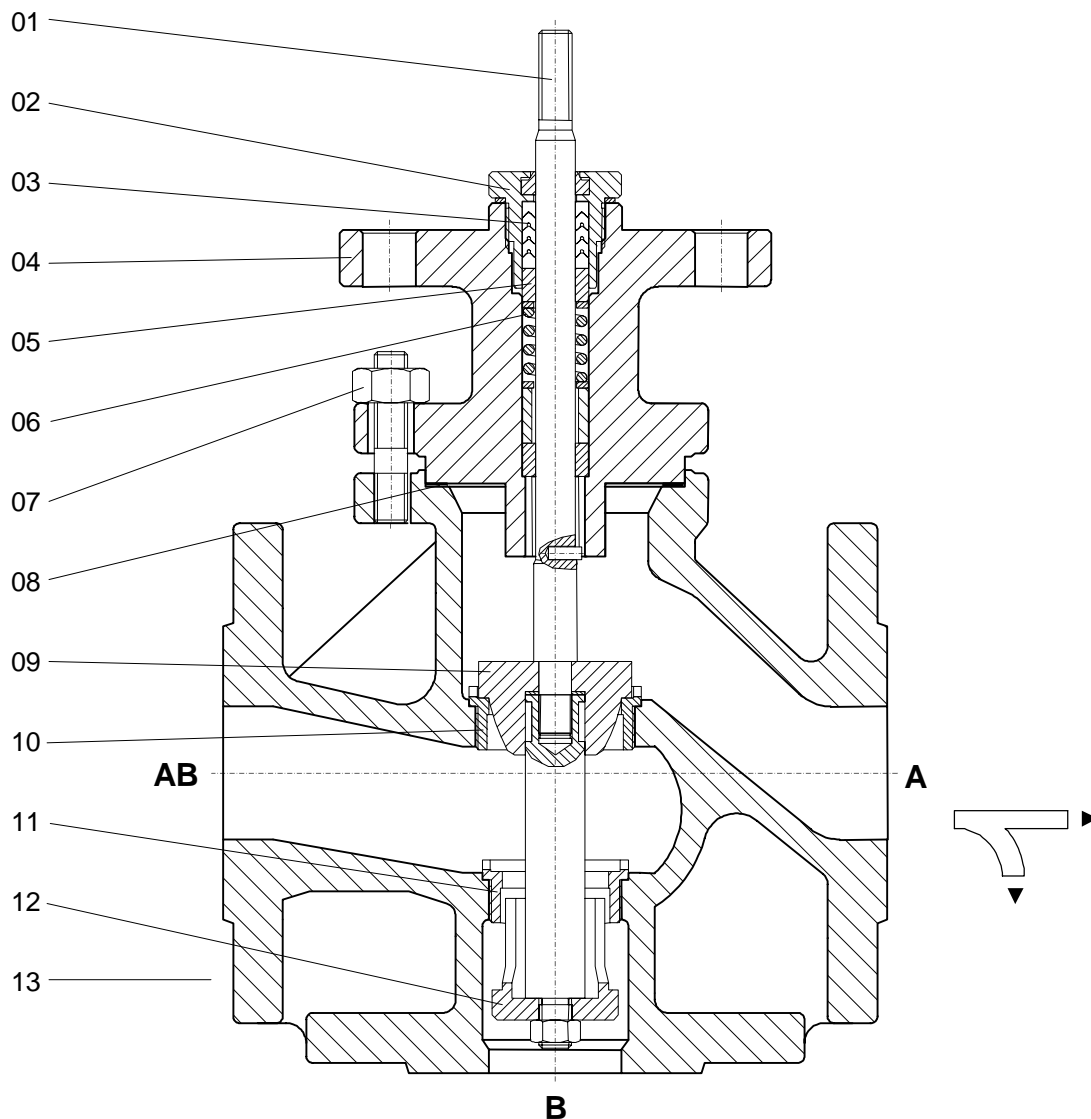


Control valve in three way form, for diverting function, type 32


No.	Designation
01	Spindle
02	Screw joint with scaper
03	V-ring-unit
04	Mounting bonnet
05	Guiding bush
06	Spring
07	Studs with hexagon nuts
08	Gasket
09	Upper plug
10	Upper seat ring
11	Lower seat ring
12	Lower plug with spindle
13	Valve body complete