

Attention:

- Adjustment of and work on the actuator may only be done by skilled labour
- Disconnect power supply before removing the cover
- Observe local instructions and terminal diagram

Actuator disassembly:

- disconnect supply
- loosen fixing screw (21)
(see Fig.1)
- unscrew coupling nut (19)
- unscrew nuts (18)
- take off actuator from valve connection

Actuator assembly:

- lift actuator onto valve connection and secure nuts (18)
(see Fig.1)
- tighten (19) coupling nut and fixing screw (21)
- connect lines acc.to wiring diagram
- if necessary, move actuator in both limit positions and adjust stroke indicators (17) on mounting rod

Maintenance: the spindle has to be kept clean and lubricated, if necessary, lubricate the spindle with molykote including grease

Limit switches:

Attention! The limit switches work load dependent and turn off automatically when the valve drives in end position, so that a readjustment, as for travel dependent limit switches, is not necessary and not allowed. Change of the factory adjustment endangers correct operation, no warranty will be given and no liability will be accepted in case of damage of the varnish sealing.

If for extraordinary reasons, for instance by previous damages, a readjustment is exceptionally necessary, the actuator should preferably be sent in for new factory adjustment. Only if this is exceptionally not possible, a new coarse adjustment can be directly done, with our agreement and acc. to the following operating instruction.

Special information for actuators with integrated positioner:

No reaction of limit switch can occur when the positioner turns off the actuator to early, before the valve is in the end position. Don't readjust limit switch in this case, control at first adjustment of positioner and correct it if necessary.

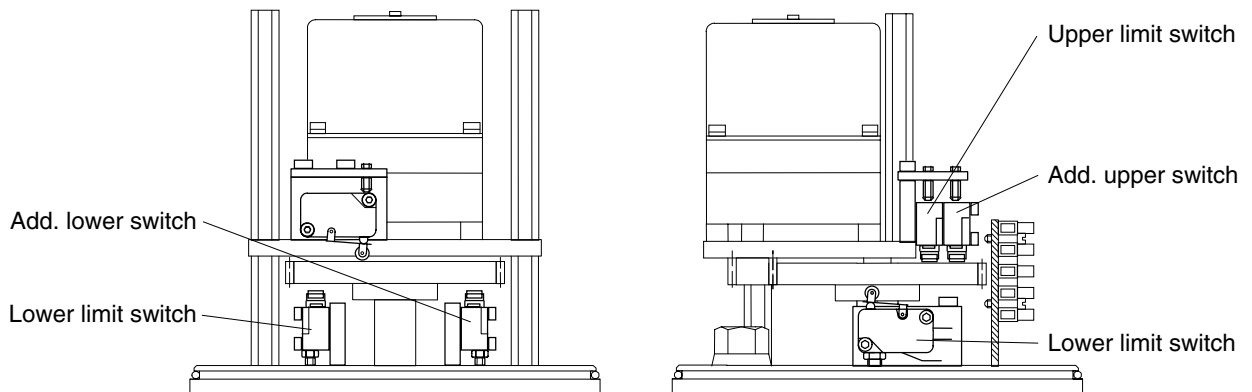


Fig.1

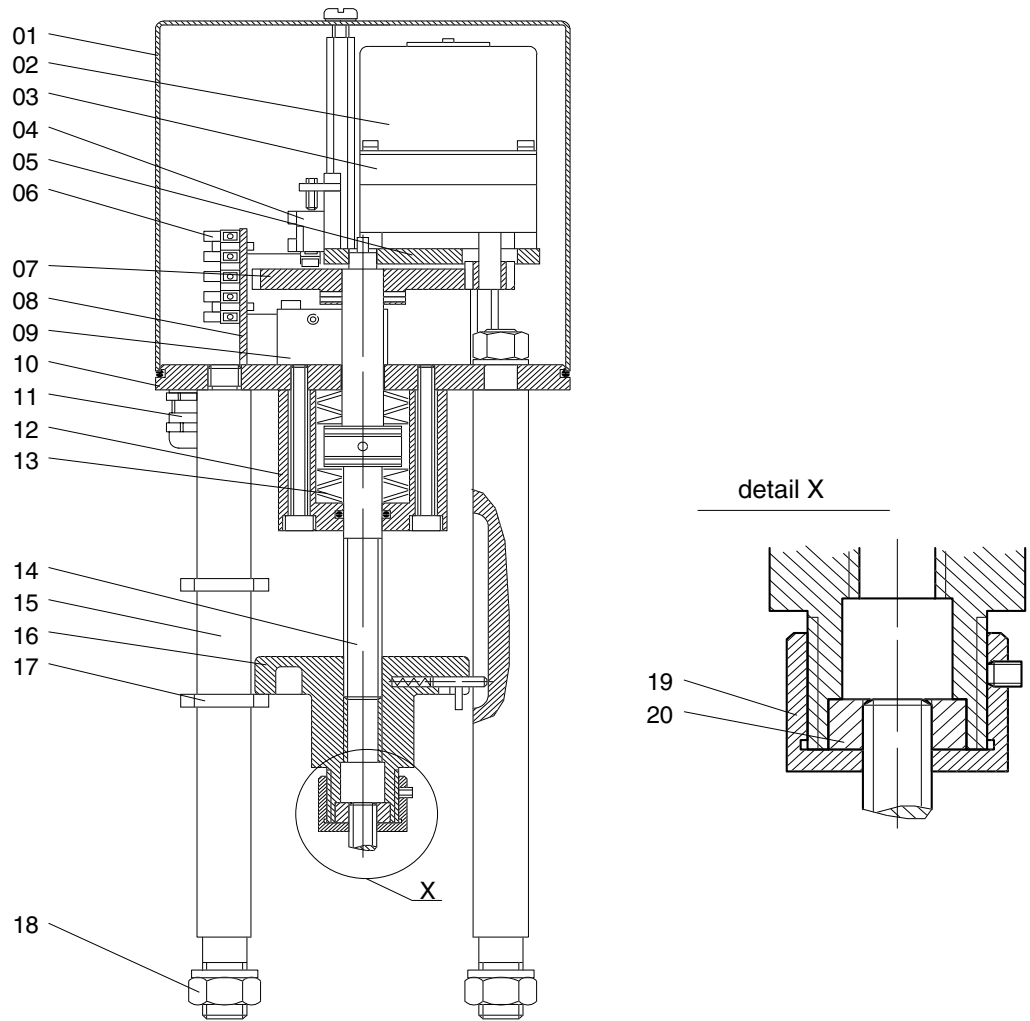


Fig.2

No.	Designation	Part-No.
01	Bonnet: 2kN / 4kN	e3h136 / e3h180
02	Motor 230V / 50/60Hz: 2kN / 4kN***	e2m220 / e2m220.4
02a	Capacitor: 2kN / 4kN	e2k033 / e2k068
03	Gear: pos. speed 3,3s/mm / pos. speed 2,2s/mm	e2g1875 / e2g1250
04	Limit switch for spindle position "down"	eheo
05	Mounting plate for motor	e3zp
06	Terminal bar	e6k12
07	Gear wheel	e3zr75
08	Mounting plate with wiring diagram	e3hb
09	Limit switch for spindle position "up"	eheu
10	Base plate	e3gp
11	Screw-type cable bushing PG11	e1kv11
12	Spring housing	e3fg
13	Set of disc springs	e5ft355+e5fs335
14	Spindle	e3s
15	Mounting rods	e3s... / e3s...n
16	Hand wheel with blocking lever	ehhr
17	Stroke indicator	e5ak
18	Hexagonal nut M16	e8mv16
19	Coupling nut	e5vk
20	Screw collar ring	e3sr...

*** = only for standard actuator: voltage 230V / 50/60Hz